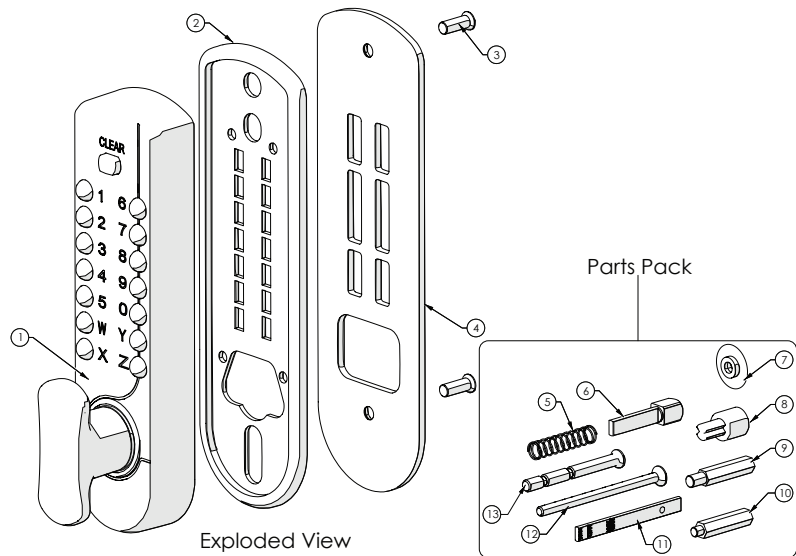


**CDL7100 DIGITAL LOCKSET MORTICE AND DEADLATCH KIT INSTALLATION INSTRUCTIONS**

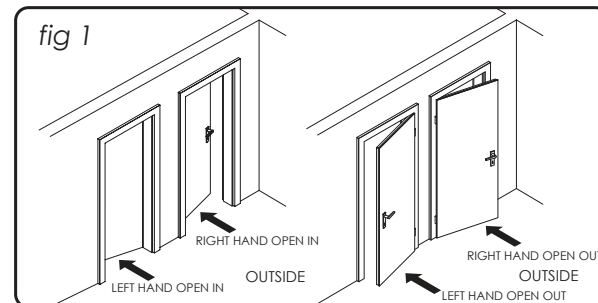
**DIGITAL LOCKSET COMPONENT PARTS LIST**



Description	BOM ID	Qty
Front Lock Body	1	1
Gasket	2	1
M5 14mm Screw	3	2
Mortice Adaptor Plate	4	1
Mortice Tailbar Spring	5	1
Mortice Tailbar	6	1
Trim Washer	7	1
Drive adaptor	8	1
25mm M5-M4 Hex Lug	9	1
25mm M4-M5 Hex Lug	10	2
Rimlock Tailbar	11	1
M4 x 65mm CSK Screw	12	2
50mm M5x0.8 Phillips Head	13	2

**INSTALLATION OF MORTICE LOCK OR DEADLATCH LOCK**

1) Check the handing of the door. As shown in fig 1, the door's handing is dependant upon which side the lock assembly is mounted. When viewed from the outside if the lock is on the right it's right-handed and if it's on the left it's left-handed.

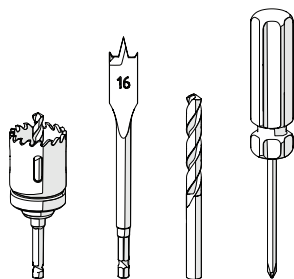


2) Installing CDL7100 assembly to a Mortice Lock.

Installation holes must be drilled in exactly the correct positions and precisely at right angles to the door surface. Lock components must be vertically and horizontally accurate in relation to each other and to the door.

- With a new installation, you must first use the factory template and instructions for fitting the mortice lock before fitting the digital lock. Insert the mortice lock.
- You now need to attach the supplied drilling template to the door (shown in fig 2).
- The mortice lock holes are shown in grey
- Fold template around the edge of the door. Line up the mortice handle axis on the template to the centre of the handle axis on the lock. Attach the template to the door with low adhesive tape.
- Now position the furniture supplied with the mortice lock up to the template. Line up the furniture handle drive axis with the centre line of latch and mark off one of the upper holes that needs to be drilled for the furniture mounting screws. The lower hole is positioned so that it fits the majority of furniture sets available. Select one of the two 8.5mm holes within the 16mm diameter recess for the bottom of the furniture.

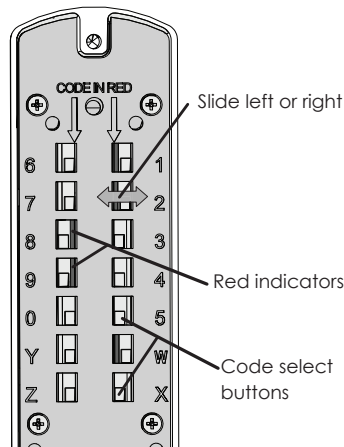
**TOOLS REQUIRED**



- 32mm Hole Saw
- 16mm Spade Bit
- 8.5mm Drill Bit
- Phillips Head Screwdriver

**CHANGING THE CODE NUMBER**

- 1) The digital lock is supplied with the default code of C13579
- 2) Determine the code you want to use and slide the selectors into position.
- 3) To do this, depress the code select button and slide it left or right depending on whether it's part of the code or not.
- 4) When the button is showing the red indicator this means that the corresponding button is part of the code.
- 5) The CLEAR "C" button MUST always be used before any code is inputted into the lock.
- 6) To achieve higher levels of security, it is recommended that the code should contain 4-5 digits.
- 7) After the clear button is depressed, the digits can be entered in any order. EG: In the image shown it would be possible to enter CW1982 as well as C1289W because any combination of the digits will unlock the lock.



**SPECIAL NOTES:**

Before commencing installation please check that all components are working correctly.

- Take the front body lock assembly, enter in the factory code **C13579** and turn the handle. Repeat, but turn the handle in the other direction. The handle should return freely under spring pressure.
- It is important that the code is changed and tested before fitting. See code change instructions for details.

**WARNING**  
Please keep contents away from small children. Suffocation Hazard.

**NOTE**  
Please dispose of plastic bags and other packaging in a thoughtful manner

- Now remove the mortice lock.
- IMPORTANT: you will not need to drill completely through all of the holes.**
- Mark the lower hole and use the 16mm spade bit to drill the 10mm deep recess for the lower connecting stud.
- Mark and drill the chosen 8.5mm fixing holes for the furniture. Drill the 10mm deep recess for the unused top connecting stud.
- At this point all the holes for the digital lock will be drilled out and you can remove the fitting template.



**LOCK & KEY** Phone: 1300 652 692 Web: [www.locknkey.com.au](http://www.locknkey.com.au) Web: [www.daveweb.com.au](http://www.daveweb.com.au)  
 Distributed in Australia by LOCK AND KEY a division on the DAVCOR GROUP PTY LTD ABN 95 003 562 598  
 This product has been manufactured in Taiwan to Lock and Key Company specifications  
 This product is guaranteed to be free from defects in materials and workmanship for a period of one (1) year from the date of original purchase. This warranty is for replacement of product only and Lock and Key Company does not accept responsibility for any direct or consequential damage caused by this product or its use. This warranty does not cover damage that results from faulty installation or usage, alteration or modification of the product or tarnishing of the finish including colour change due to weather, salt or chemical. Should this product not perform satisfactorily in its intended application, return it to place of purchase for replacement.

Instructions continued overleaf.

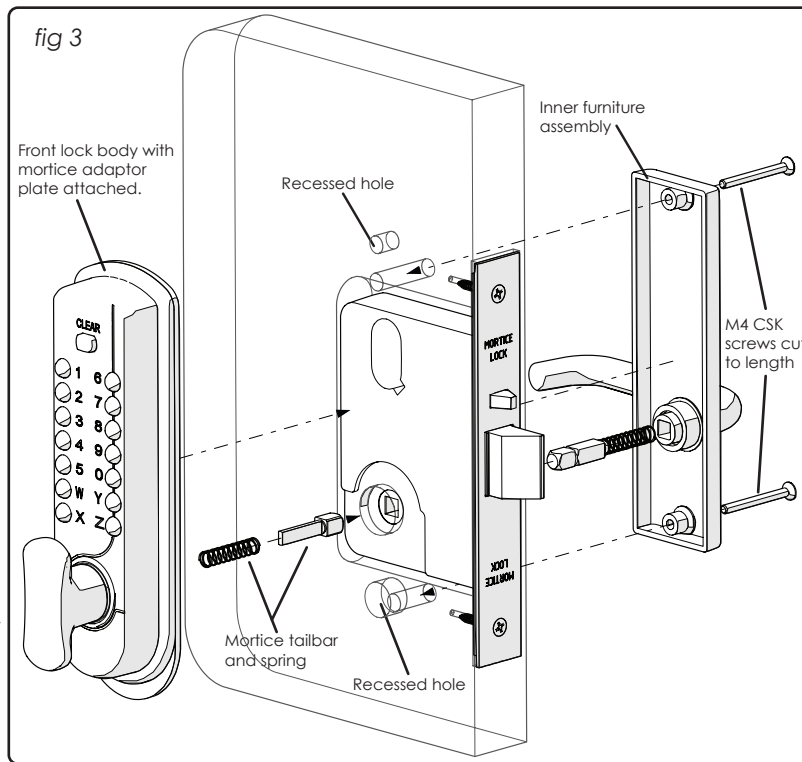
### 3) Fitting the digital lock assembly to the mortice lock and furniture

- Follow the mortice lock factory instructions and secure the mortice lock into the door.
- As shown in *fig 3*, make sure that the CDL7100 digital lock assembly is firmly attached to the adaptor plate.
- Place the mortice tailbar spring onto the mortice tailbar and hold in position on the mortice lock.
- Hold the front lock body onto the door in position.

- Using the M4 CSK screws, assembly all the parts together through the top and bottom holes of the inner furniture plate. The screws will have to be cut to length depending on the depth of the door and furniture plate.

- Before final tightening, make sure the lock is vertical and test the lock action is moving easily.

**IMPORTANT: Do not close the door until you are sure that the CDL7100 lock works and you know the entry code. Do not over tighten the fixing bolts as this may cause distortion and lead to poor operation.**



latchbolt.

- The Deadlatch/Nightlatch holes are shown in diagonal black stripes. Mark and drill the top 8.5mm front lock body fixing hole.
- Use the hole saw to drill the 32mm rim lock hole if not already done.

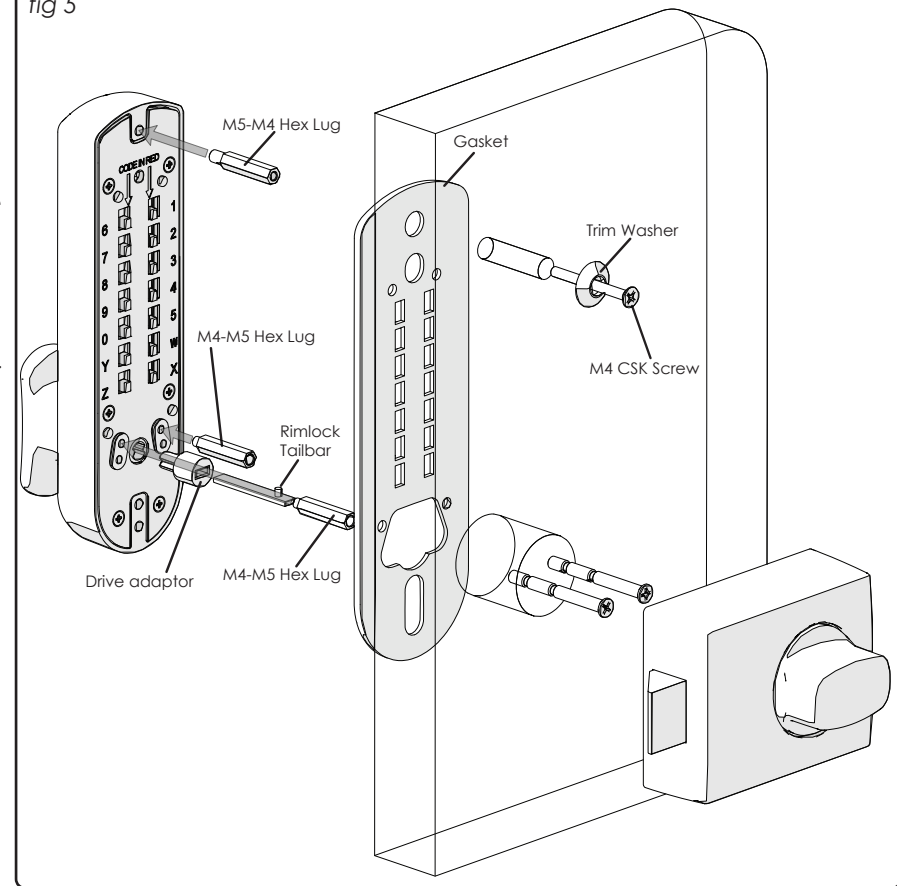
### 4) Installing the components to suit the application.

- As shown in *fig 5*, screw the two M4-M5 Hex Lugs and M5-M4 Hex Lug into the back plate of the lock body.

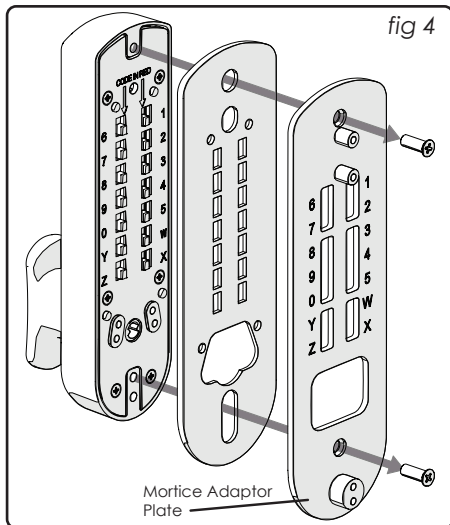
- Measure the thickness of the door and cut the rimlock tailbar to the corresponding length.

- If the CDL7100 digital lock is being installed onto an Australian type Deadlatch Lock (such as the Whitco or Lockwood 001 type), cut the rimlock tailbar (part #11) to the correct length using the gauge on the tail bar. NOTE: cut the opposite end to the pin stop in the tailbar.
- When installing the

fig 5



CDL7100 digital lock onto an Australian type Nightlatch Lock, due to the variation in Nightlatch design, do not cut the tail



### 3) Installing CDL7100 assembly to a deadlatch or nightlatch lock

As shown in *fig 4*, you will need to remove the, mortice adaptor plate.

When installing to a deadlatch or nightlatch, you do not need this plate.

- Use the factory template to mark and drill holes for the fitting of the Deadlatch/Nightlatch. Then test fit the Deadlatch/Nightlatch.

- As shown in *fig 2*, apply the fitting template to the door at the correct height in line with the

bar straight away.

- Attach the Nightlatch if not already attached to the door.
- Insert the tail bar into the nightlatch in the orientation shown in *fig 5*.
- Place the front lock assembly and gasket onto the door as it would be mounted, making sure that the tailbar is going into the drive adaptor.
- If the CDL7100 digital lock cannot sit on the face of the door, remove sections from the end of the tail bar until it can.

### 6) Fixing the CDL7100 digital lock to the door

- Insert the drive adaptor into the lock body so it is able to accept the rimlock tailbar.
- Add the gasket to the CDL7100 digital lock and position it onto the door.
- As shown in *fig 5*, insert the M4 CSK screw into the Trim Washer through the top hole and into the CDL7100 lock. Do not fully tighten the screw.
- Please note, the screw will have to be cut to length depending on the depth of the door.
- Insert the rimlock tail bar into the drive adaptor and into the CDL7100 lock through the hole in the door as shown in *fig 5*.
- Secure the CDL7100 digital lock at the bottom using the two M5 Phillips head screws. They will need to be cut to length depending on the door thickness.
- Depending on the type of latch being used, use the Deadlatch mounting plate to connect to the Hex Lugs on the CDL7100 Lock. Or if necessary, in the case of using with a nightlatch, use the rim lock plate that is supplied with the nightlatch. Do not fully tighten screws.
- Before final tightening, make sure that the lock is vertical and test that the lock is operating correctly. Do not close the door until you are sure that the entry code works. Now tighten all of the screws and test the locks operation again. Do not over tighten the fixing screws as this may cause distortion and lead to poor operation.